

Rugged Tablet

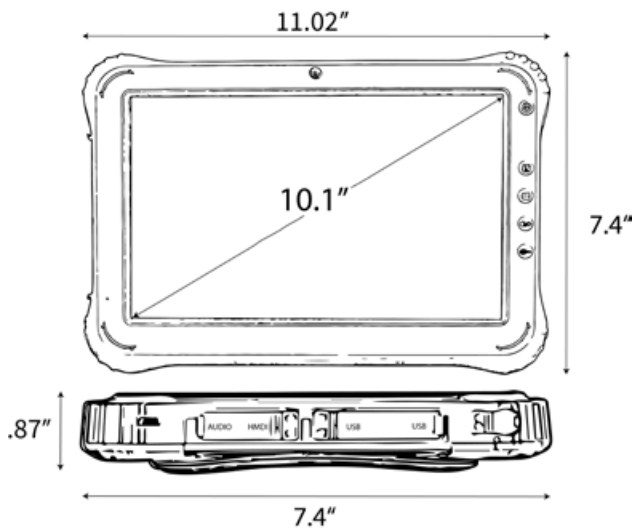
Datasheet

Improve the performance of your equipment with original accessories.



Tablet Erbesd 10XIP

The durable Erbesd10XIP enables mobile workforce productivity like never before. The tablet has numerous features and functions to help improve operational productivity and efficiency.



Technical Specs

Weight	2.2 lb. Base conguration (1.01kg)
Sealing	IP65 (water and dust)
Operating Temp	-4° F to +140° F (-20° C to +60° C)
Processors	Intel® Atom Quad Core x5-Z8350; 1.44-1.84GHz
System Memory	4GB DDR3L RAM
Storage	64GB
Operating System	Windows 10 Home Edition
Buttons	Windows Button, volume +/-, power, barcode scanner trigger
I/O Ports	Micro SD, USB 2.0, micro USB 2.0, mini HDMI 1.4a, Headset 3.5mm
Camera	5MP auto-focus camera (Rear-facing) 2MP auto-focus camera (Front-facing)
Sensors	Gravity acceleration
Scanner	High performance 1D or 2D imager (optional)
Wireless & GPS Network Characteristics	WLAN(802.11 a/b/g/n), Bluetooth (4.0) & GPS.



Service & Support Engineer

1-877-223-4606 / +52 (55) 6280-7654 / 7592-2130

support@erbessd-instruments.com

support@erbessdreliability.com

Sales

info@erbessd-instruments.com

info@erbessdreliability.com

BUY ONLINE

www.erbessd-instruments.com

www.erbessdreliability.com

USA | MEXICO | SPAIN | CANADA